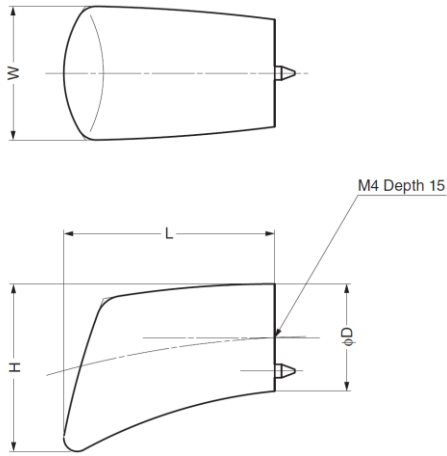


GTMT Gold Plated Knob

Material

- Brass. 24K gold plating



Parts Included

- Truss head screw M4×30 (SUS)

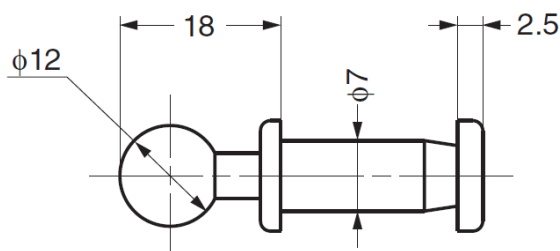
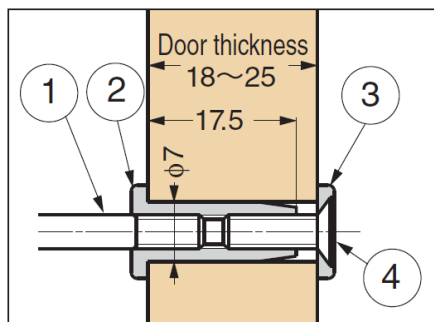
Part No.	W	L	H	D
GTMT-16	16	25	20	12.5
GTMT-20	20	31.5	25	16

GMBT-12 Knob

Parts Included

- Countersunk head screw M4×5

Cut Out Dimensions



No.	Part Name	Material	Finish
①	Knob	Brass	Satin Nickel
②	Sleeve	Brass	Satin Nickel
③	Washer	Brass	Nickel
④	Screw	Steel	Nickel

Part No.
GMBT-12WB